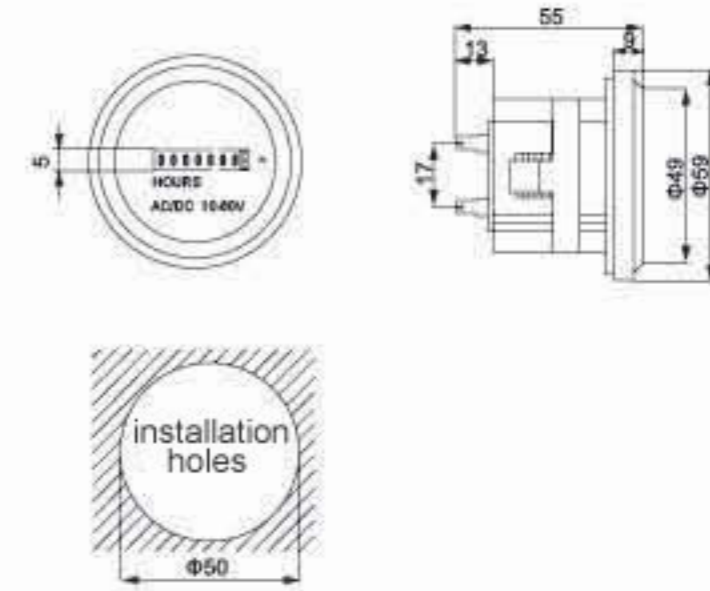
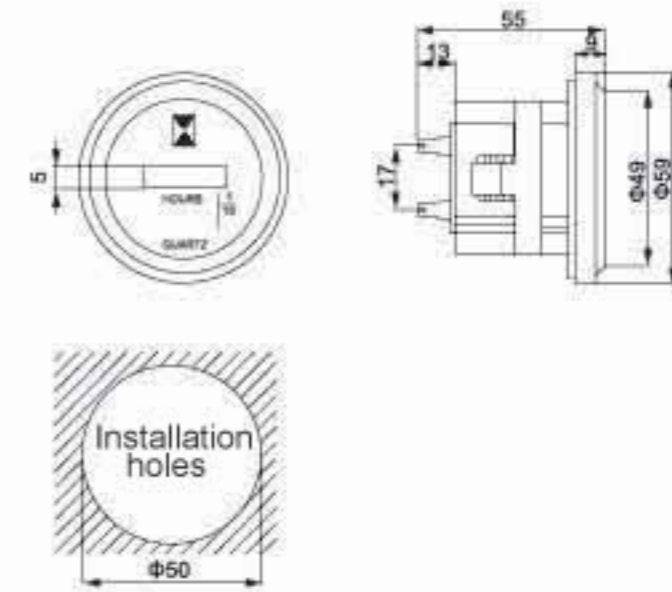




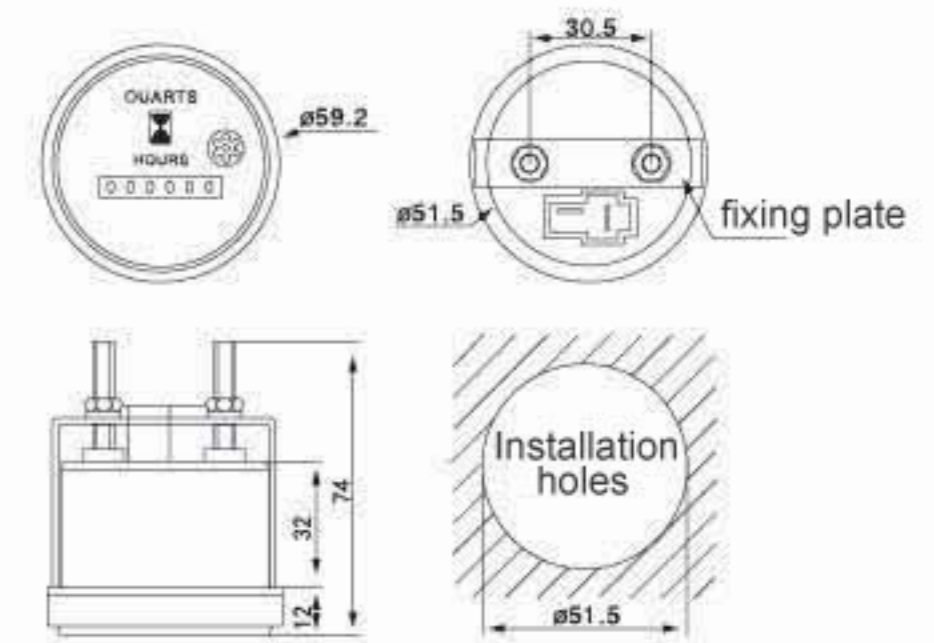
Model	TH-1
Range	0-99999.99 (hour)
Precision	±0.01
Reset	No reset
Voltage	10V-60V (DC/AC) AC220-240V
Power	0.3W
Temp.	-10°C --50°C
Humidity	Full sealed
Vibration	10-70HZ 1-8g



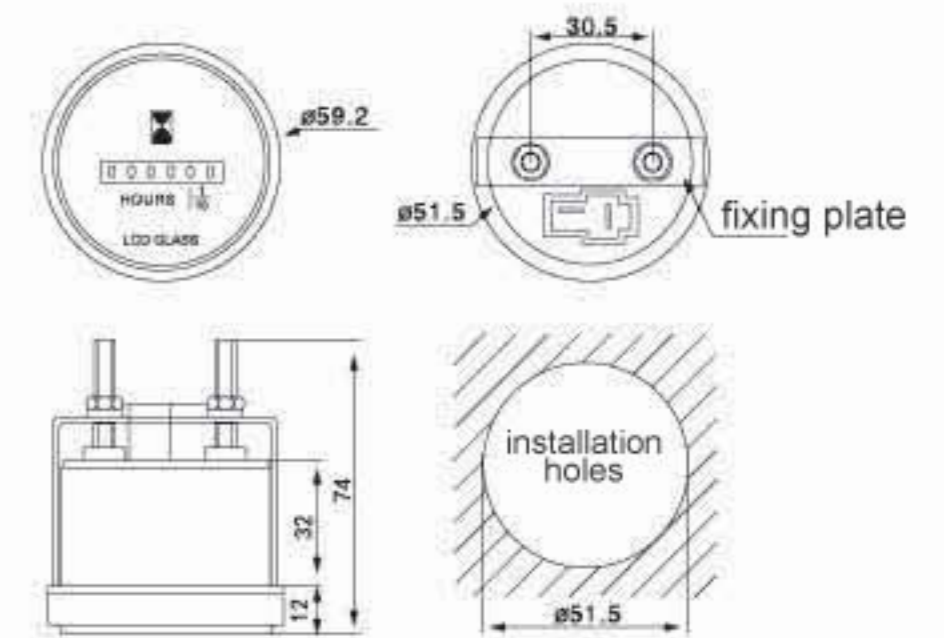
Model	SH-1
Range	0-99999.9 (hour)
Precision	±0.1
Reset	No reset
Voltage	10V-80V (DC/AC) AC100-250V
Power	0.3W
Temp.	-10°C --50°C
Humidity	Full sealed
Vibration	10-70HZ 1-8g



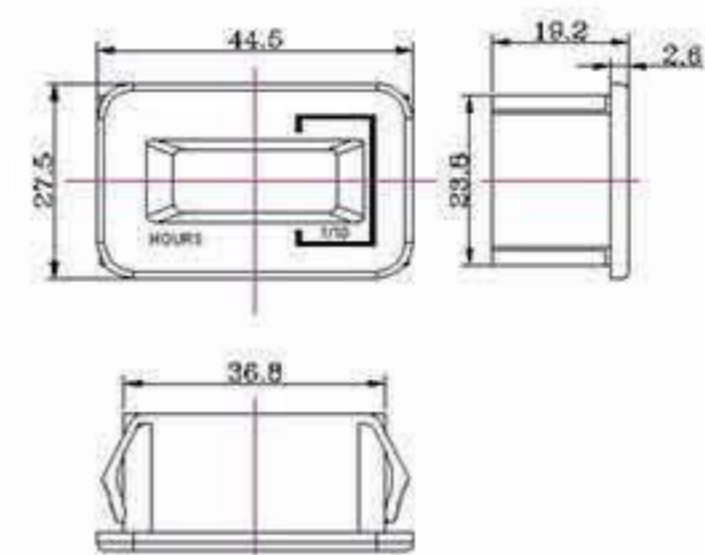
Model	LY-748
Range	0-99999h60m
Precision	±0.1
Reset	No reset
Voltage	12V-36V (DC/AC) AC100-250V
Power	0.3W
Temp.	-10°C --50°C
Humidity	Full sealed
Vibration	10-70HZ 1-8g



Model	LY-748 LCD timer
Range	0-99999.9 (hour)
Precision	±0.1
Reset	No reset
Voltage	12V-36V (DC/AC) AC100-250V
Power	0.3W
Temp.	-10°C --50°C
Humidity	Full sealed
Vibration	10-70HZ 1-8g



Model	LY-05T
Range	0-99999.9
Precision	0.01%
Usage	Timing
Voltage	6V-270V DC/AC
Temp.	-20°C --50°C




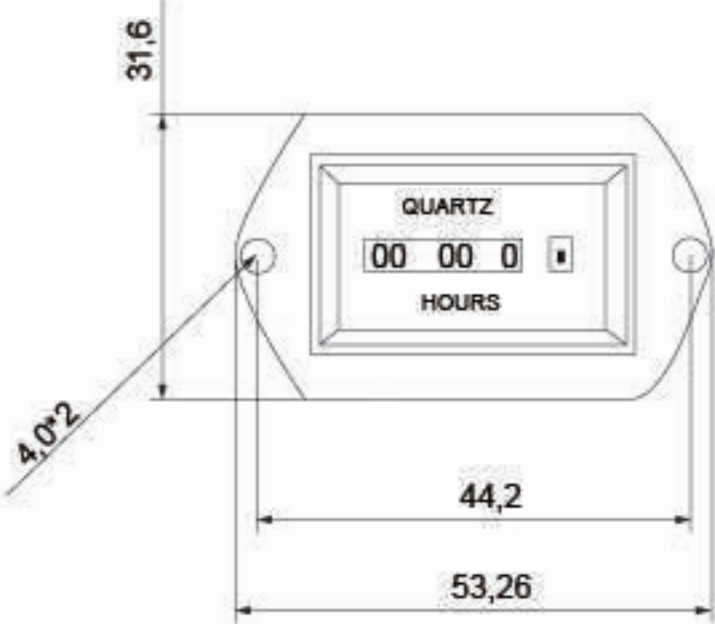
	Model	SYS-1	
	Range	0-99999.9(hour)	
	Precision	±0.1	
	Reset	None	
	Voltage	10V-80VDC, AC100-250V	
	Power	0.3W	
	Temp.	-10°C --50°C	
	Vibration	10-70HZ 1--8g	

	Model	SYS-2	
	Range	0-99999.9(hour)	
	Precision	±0.1	
	Reset	None	
	Voltage	10V-80VDC, AC100-250V	
	Power	0.3W	
	Temp.	-10°C --50°C	
	Vibration	10-70HZ 1--8g	


	Model	SYS-3	
	Range	0-99999.9(hour)	
	Precision	±0.1	
	Reset	None	
	Voltage	10V-80VDC, AC100-250V	
	Power	0.3W	
	Temp.	-10°C --50°C	
	Vibration	10-70HZ 1--8g	

	Model	SYS-4	
	Range	0-99999.9(hour)	
	Precision	±0.1	
	Reset	None	
	Voltage	10V-80VDC, AC100-250V	
	Power	0.3W	
	Temp.	-10°C --50°C	
	Vibration	10-70HZ 1--8g	

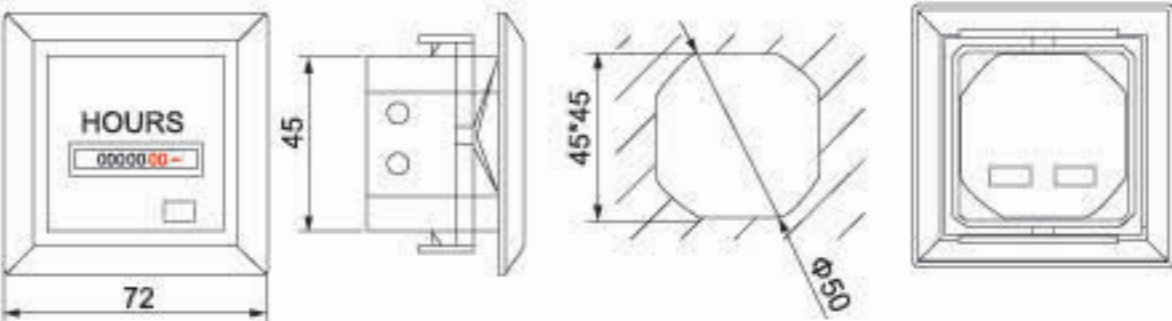
	Model	SYS-5	
	Range	0-99999.9(hour)	
	Precision	±0.01	
	Reset	None	
	Voltage	10V-80VDC, AC100-250V	
	Power	0.3W	
	Temp.	-10°C --50°C	
	Vibration	10-70HZ 1--8g	

	Model	SYS	
	Size	65x55x32mm (MAX)	
	Voltage	AC220V (50Hz, 60Hz) DC12-36V	
	Range	0-9999.9 (h)	
	Weight	55g	
	Installation	fixed on panel by screw	



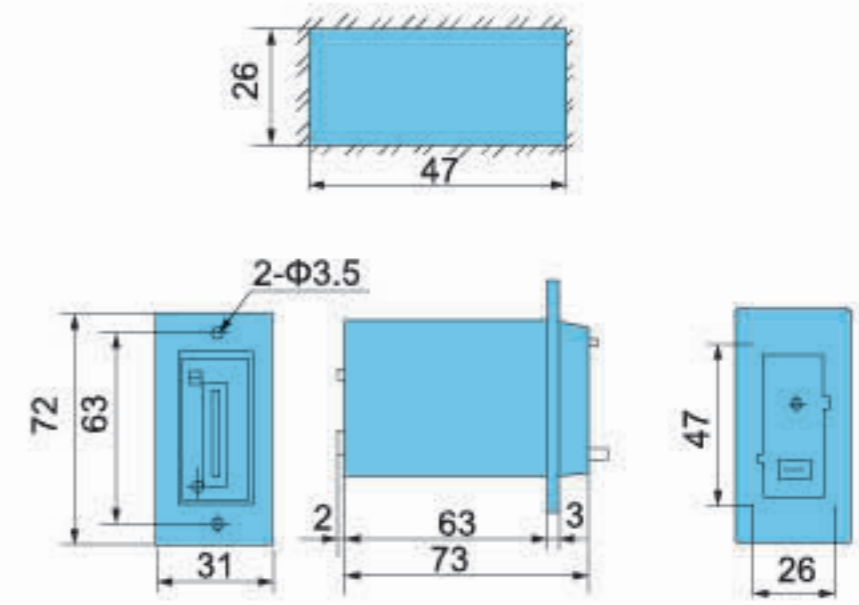
Model	HM-2/uwz48
Specification	0-99999.99 hrs , precision ± 0.01 , None reset
Voltage	AC220V-240V 50Hz AC110V 50Hz AC24V 50Hz, AC220V-240V 60Hz AC24V 60Hz DC 10V-60V DC 24V
Installation	Clip-on, DIN rail
Size	



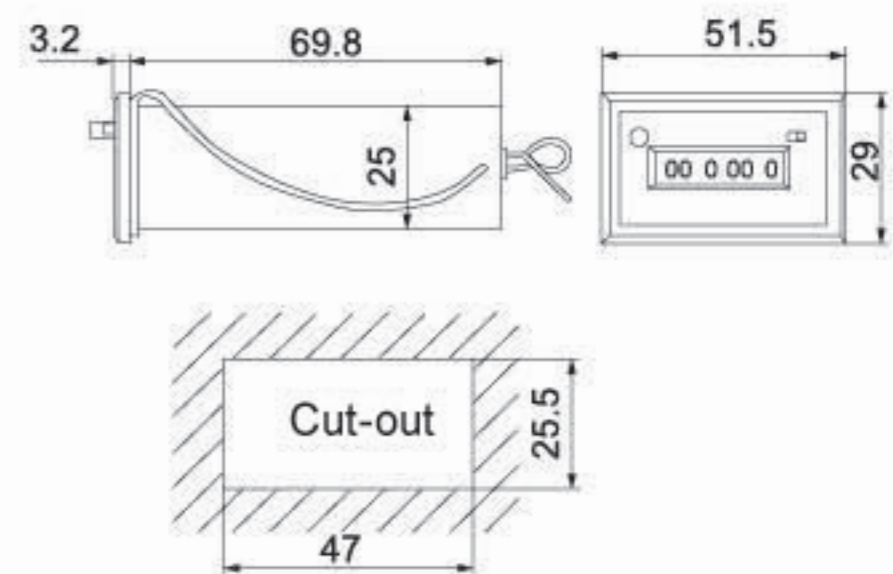
Model	HM-1
Range	0-99999.99(hour)
Precision	± 0.01
Reset	None
Voltage	AC220V-240V 50Hz AC110V 50Hz AC24V 50Hz, AC220V-240V 60Hz AC24V 60Hz
Power	0.3W
Temperature	-10 $^{\circ}$ C ~50 $^{\circ}$ C
Size	



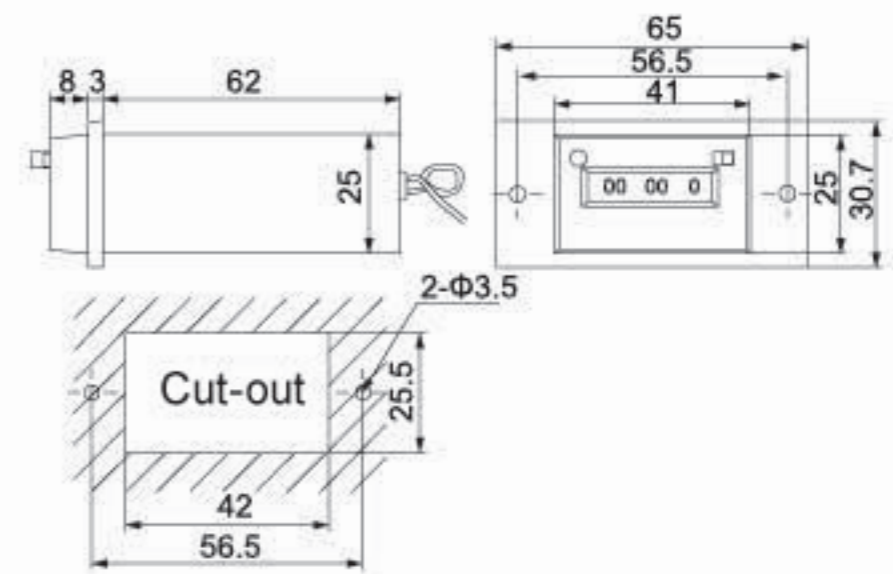
Model	CSK6-YKW
Digits	4, 5, 6, 7
Voltage	AC220V, AC110V, DC24V, DC12V, or other voltages
Tolerance	Rated voltage -15%~+10%
Power	DC: 3.5W, AC: 3W
Speed	DC: 20 times/sec, AC: 10 times/sec
Life span	200, 000, 000 times
Lead-wire	wire length depends on requirements



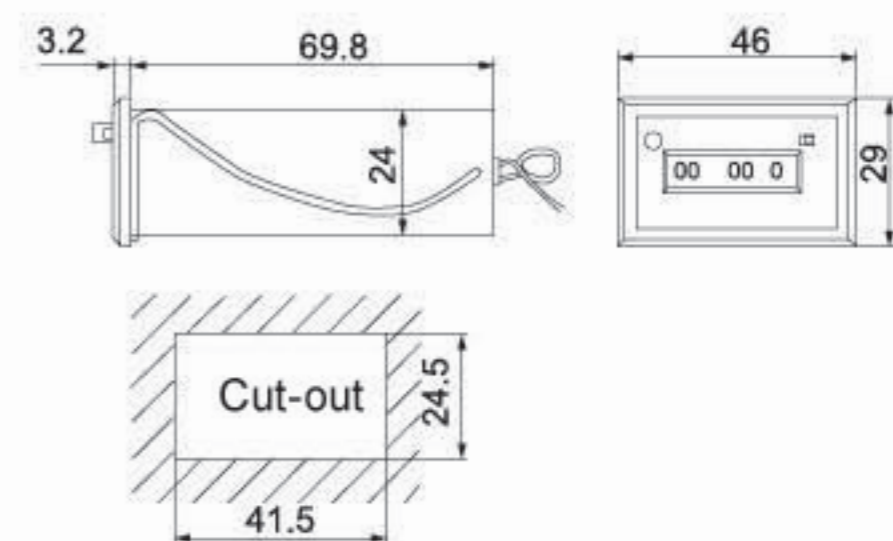
Model	CSK6-NKW
Digits	4, 5, 6, 7
Voltage	AC220V, AC110V, DC24V, DC12V, or other voltages
Tolerance	Rated voltage -15%~+10%
Power	DC: 3.5W, AC: 3W
Speed	DC: 20 times/sec, AC: 10 times/sec
Life span	200, 000, 000 times
Installation	Clip-on



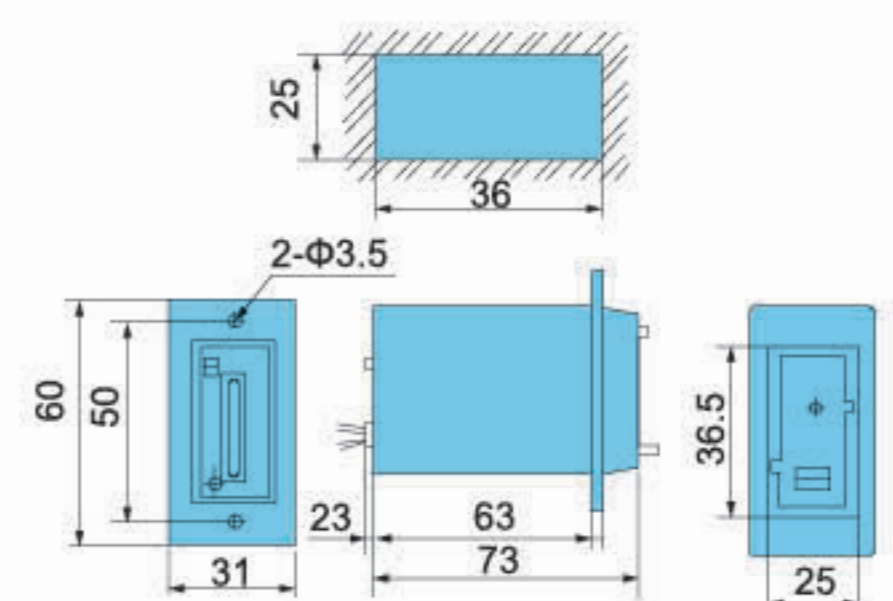
Model	CSK5-YKW
Range	0-99999
Voltage	AC220V, AC110V, DC24V, DC12V
Fluctuation	±10% rated voltage
Speed	DC 20 times/sec, AC 10 times/sec.
Deviation	<1X0.00001
Environment	-20°C -50°C RH: ≤ 85%
Power	DC1.5W, AC2.5VA
Installation	Panel mount



Model	CSK5-NKW
Range	0-99999
Voltage	AC220V, AC110V, DC24V, DC12V
Fluctuation	±10% rated voltage
Speed	DC 20 times/sec, AC 10 times/sec.
Deviation	<1X0.00001
Environment	-20°C -50°C RH: ≤ 85%
Power	DC1.5W, AC2.5VA
Installation	Clip-on

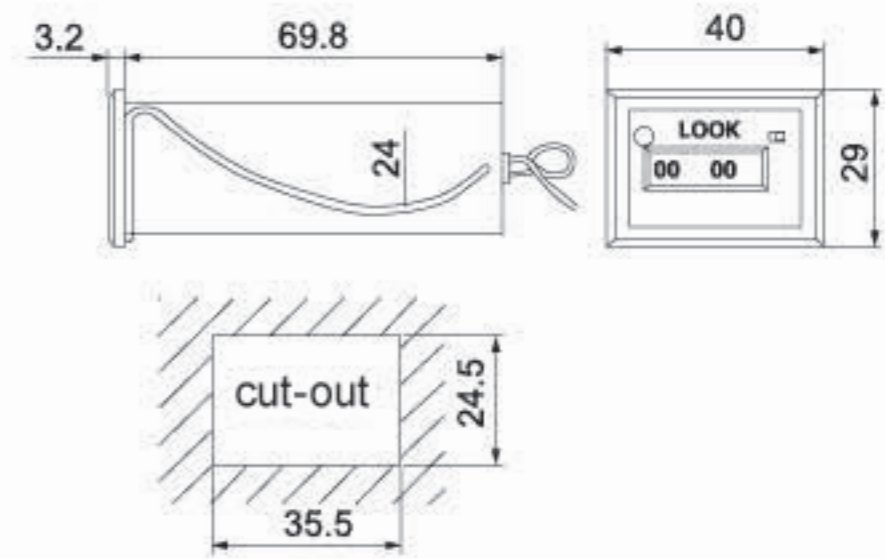


Model	CSK4-YKW
Range	0-9999
Voltage	AC220V, AC110V, DC24V, DC12V, or other voltage.
Speed	DC 20 times/sec, AC 10 times/sec.
Deviation	<1X0.00001
Environment	-20°C -50°C RH: ≤ 85%
Power	DC1.5W, AC2.5VA
Installation	Panel mount

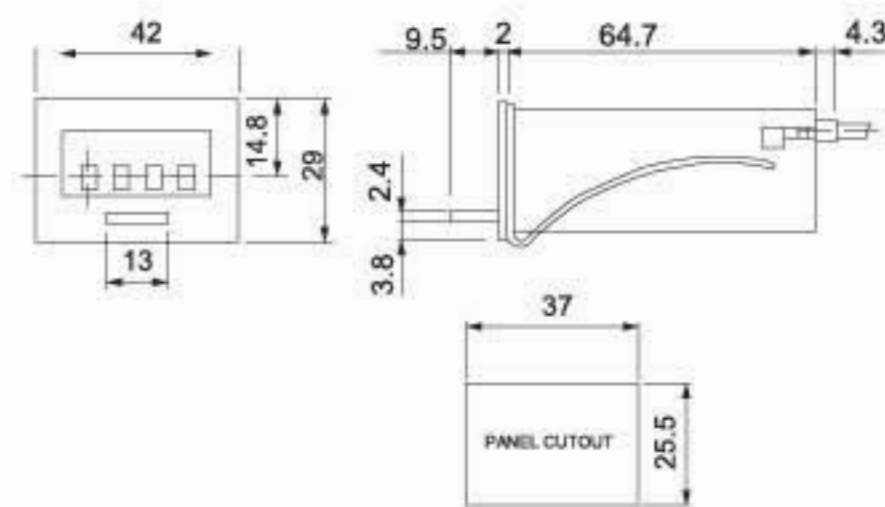




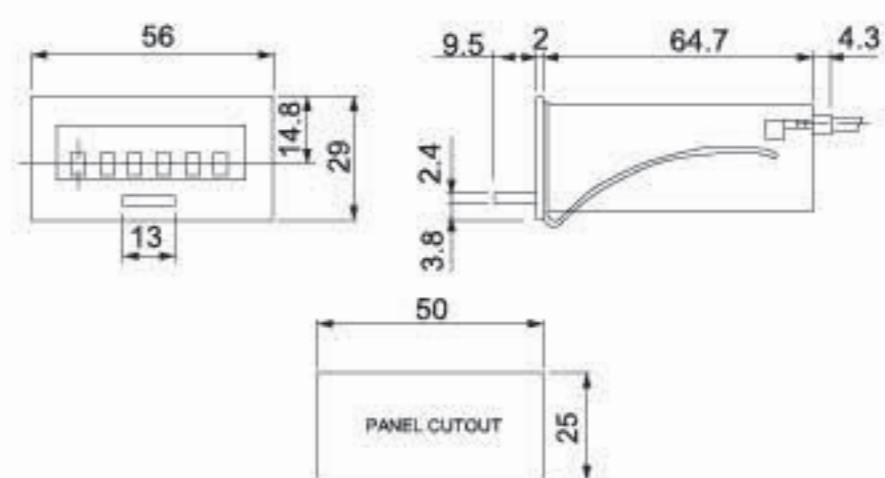
Model	CSK4-NKW
Range	0-9999
Voltage	DC24V, AC220V, AC110V, DC12V
Fluctuation	±10%
Speed	10 times/sec
Deviation	<1X0.00001
Environment	-20°C -50°C RH: ≤ 85%
Power	DC1.5W, AC2.5VA
Installation	Clip-on



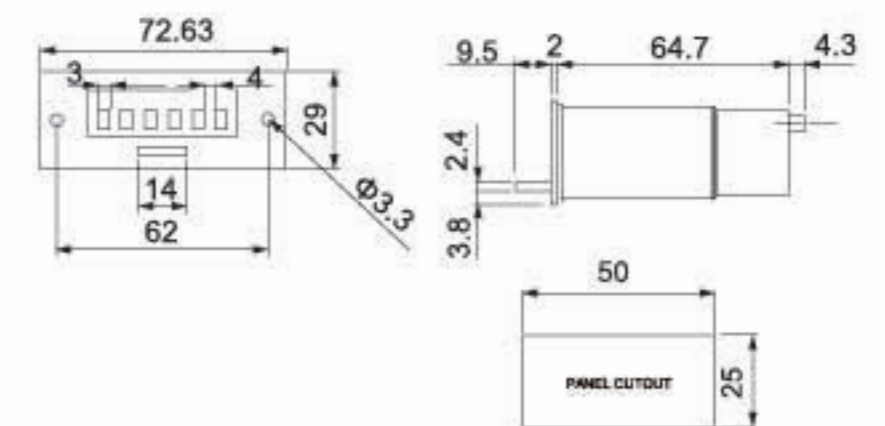
Model	MCF-4X
Range	0-9999
Voltages	DC24V, AC220V, AC110V, DC12V
Fluctuation	±10%
Speed	DC: 20 times/sec, AC: 10 times/sec
Deviation	<1X0.00001
Environment	-20°C -50°C RH: ≤ 85%
Power	DC1.5W, AC2.5VA
Installation	Clip-on



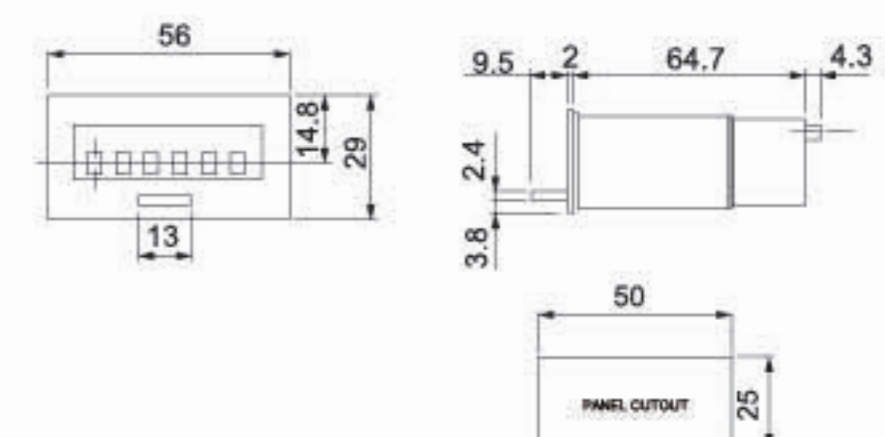
Model	MCF-6X
Range	0-999999
Voltages	DC24V, AC220V, AC110V, DC12V
Fluctuation	±10%
Speed	DC: 20 times/sec, AC: 10 times/sec
Deviation	<1X0.00001
Environment	-20°C -50°C RH: ≤ 85%
Power	DC1.5W, AC2.5VA
Installation	Clip-on



Model	LFC-6
Range	0-999999
Voltages	DC24V, AC220V, AC110V, DC12V
Fluctuation	±10%
Speed	DC: 20 times/sec, AC: 10 times/sec
Deviation	<1X0.00001
Environment	-20°C -50°C RH: ≤ 85%
Power	DC1.5W, AC2.5VA
Installation	Panel mount



Model	LFC-6S
Range	0-999999
Voltages	DC24V, AC220V, AC110V, DC12V
Fluctuation	±10%
Speed	DC: 20 times/sec, AC: 10 times/sec
Deviation	<1X0.00001
Environment	-20°C -50°C RH: ≤ 85%
Power	DC1.5W, AC2.5VA
Installation	Fix by spring or screw



	Model	JDM11-6H(4 pins)	
	Digits	6	
	Range	0-999999	
	Voltages	AC220V, AC110V, AC36V, DC24V, DC12V	
	Speed	20 times/sec	
	Volt. Range	85%-110%	
	Power	≤ 2W	
	Power-Off	Have memory function, storage 10 years	
	Input type	with voltage and without voltage	

	Model	JDM11-6H(5 pins)	
	Digits	6	
	Range	0-999999	
	Voltages	AC220V, AC110V, AC36V, DC24V, DC12V	
	Speed	20 times/sec	
	Volt. Range	85%-110%	
	Power	≤ 2W	
	Power-Off	Have memory function, storage 10 years	
	Input type	match with NPN sensor photo sensor	

	Model	JDM11-5H	
	Digits	5	
	Range	0-99999	
	Voltages	AC220V, AC110V, AC36V, DC24V, DC12V	
	Speed	20 times/sec	
	Volt. Range	85%-110%	
	Power	≤ 2W	
	Power-Off	Have memory function, storage 10 years	
	Input type	with voltage and without voltage	

	Model	6H-A counter for punch machine	
	Range	0-999999	
	Voltages	AC220V, AC110V, AC36V, DC24V, DC12V	
	Fluctuation	±10%	
	Speed	DC: 20 times/sec, AC: 10 times/sec	
	Deviation	<1X0.00001	
	Environment	-20°C -50°C RH: ≤ 85%	
	Power	DC1.5W, AC2.5VA	
	Installation	screw	

	Model	LY-05A counter for punch machine	
	Range	0-99999	
	Voltages	Built-in battery, LCD display	
	Speed	10 times/sec	
	Deviation	<1X0.00001	
	Environment	-20°C -50°C RH: ≤ 85%	
	Installation	Clip-on	

<p>ZN48</p> 	<p>AHC15A</p> 	<p>DH48S</p> 	<p>DH48J</p> 
<p>JDM9-6 Electronic counting relay</p> 	<p>JDM9-4 Electronic counting relay</p> 	<p>JDM75-3H Counter for cutter machine</p> 	<p>JDM11-5HA Plus-minus counter</p> 
<p>H7EC</p> 	<p>MCF-4X-A</p> 	<p>Accessory for cutter machine counter</p> 	<p>875</p> 
<p>873</p> 	<p>LY-06</p> 	<p>LY-06A</p> 	<p>Timer movement</p> 
<p>Movement of timer for engineering vehicle</p> 	<p>JCQ-3 Meter head</p> 	<p>JS-8 Lightning rod counter</p> 	<p>JCQ-3 Detector</p> 

<p>Z96-F Reversing counter</p> 	<p>Z96-F Meter counter</p> 	<p>Z94-F Meter counter</p> 	<p>Meter wheel(M)</p>  <p>OD: 106.1mm</p>
<p>Code wheel(Y)</p>  <p>OD: 97mm</p>	<p>LY-05B</p> 	<p>LY-5A</p> 	<p>LY-5B</p> 
<p>LY-5B</p> 	<p>D67F</p> 	<p>D94S</p> 	<p>Round mold counter</p> 
<p>CVP-200 Mold counter</p> 	<p>LCD mold counter</p> 	<p>LCD mold counter</p> 	<p>LY-04A black</p> 
<p>LY-04 black</p> 	<p>LY-04 red</p> 	<p>metal hand press counter, with base</p> 	<p>metal hand press counter</p> 

<p>C900 Temperature controller</p> 	<p>C400 Temperature controller</p> 	<p>C700 Temperature controller</p> 	<p>C100 Temperature controller</p> 
<p>42L6</p> 	<p>6L2</p> 	<p>99T1-A</p> 	<p>44L1</p> 
<p>CTB-1D Current transformer secondary overvoltage protector</p> 	<p>CTB-4D</p> 	<p>CTB-6D</p> 	<p>CTB-9D</p> 
<p>CTB-12D</p> 	<p>Torre-1</p> 	<p>Torre-2</p> 	<p>TLB-3 Hot-explosive torre</p> 